

ATLANTIS LED



Application: parks, pedestrians, bicycle routes

Assembly: pole top mounted or on extension arms with $\varnothing 60 \times 50$ mm ending

Ingress protection: IP 66

Material: base – high-pressure die-casted aluminium alloy, frosted diffuser (PMMA), cap – formed aluminium sheet,

Colour: inox

Operating temperature range: from -40°C to $+40^{\circ}\text{C}$

Expected useful lifetime: L90F10 – 50 000 h, L80F20 – 100 000 h

CRI: >90

Corrective factor S/P: 1,45

Input voltage frequency: 50/60 Hz

Power factor: ≥ 0.95

Inrush current: : 4,1A / 56 μs

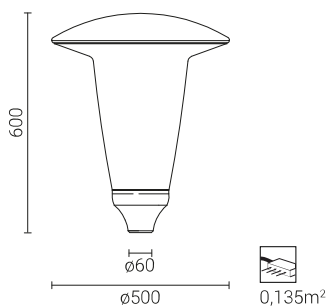
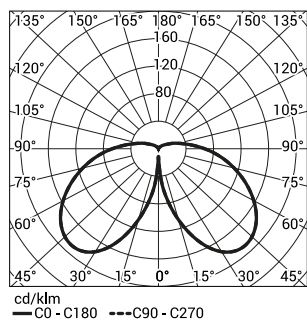
Luminaire ATLANTIS LED has the possibility to connect to an external control system via DALI interface (optionally via analog signal 1- 10V).



Code	Symbol	LED power	Luminaire Power consumption	LED forward current	Colour temperature (CCT)	LEDs luminous flux ¹⁾	Luminaire luminous flux ¹⁾	Luminous efficacy	Unit volume	Luminaire net weight
214650/3	ATLANTIS LED	38W	43W	940mA	3500K	4 000lm	3400lm	79lm/W	0,22m ³	4kg

1) tolerance +/- 7% due to LEDs accuracy

Directive: 2014/35/UE (Official Journal of the UE L 96/357 29.03.2014), 2014/30/UE (Official Journal of the UE L 96/79 29.03.2014), 2011/65/UE, 2009/125/EC



Acceptable quantity of luminaires [p|name|value] on one circuit, protected by:

Overcurrent switches MCB type B or C

Oprawa	Typ	2A	4A	6A	10A	16A	20A	25A
ATLANTIS LED	B	1	2	4	6	11	13	17
	C	1	4	6	11	18	28	28

Fuse – type gG and GL

Oprawa	2A	4A	6A	10A	16A	20A	25A
ATLANTIS LED	1	2	11	19	30	38	47