

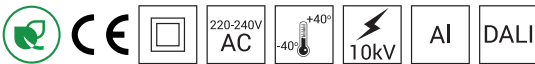
COSMO LED ALFA



Application: urban roads, pedestrians, parkings
Assembly: on extension arms with $\varnothing 60$ x 100 mm ending
Ingress protection: IP 66 for the optical part and the driver

Material: anodised aluminium alloy
Colour: inox / black
Optical system: PMMA optics, interchangeable LED module
Number of LEDs: 24
Operating temperature range: from -40°C to $+40^{\circ}\text{C}$
Expected useful lifetime: L90F10 – 50 000 h, L80F20 – 100 000 h
CRI: >70 for 5000K, 4000K, 3500K; >80 for 3500K
Corrective factor S/P: 1,8 for 5000K; 1,45 for 3500K; 1,55 for 4000K, 5000K
Input voltage frequency: 50 - 60Hz
Power factor: ≥ 0.95
Inrush current: : 57A / 210 μs

Luminaire COSMO LED ALFA has the possibility to connect to an external control system via DALI interface (optionally via analog signal 1- 10V).

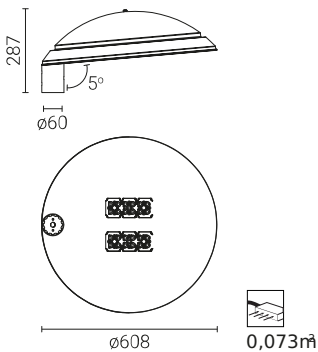


Code	Symbol	LED power	Luminaire Power consumption	LED forward current	Colour temperature (CCT)	LEDs luminous flux ²⁾	Luminaire luminous flux ²⁾	Luminous efficacy	Unit volume	Luminaire net weight
2212033/3/... ¹⁾	COSMO LED ALFA 48	48W	55W	700mA	3500K	7 000lm	6550lm	119lm/W	0,073m ³	11kg
2212033/4/... ¹⁾	COSMO LED ALFA 48	48W	55W	700mA	4000K	7 300lm	6800lm	124lm/W	0,073m ³	11kg
2212033/6/... ¹⁾	COSMO LED ALFA 48	48W	55W	700mA	5000K	8 150lm	7100lm	129lm/W	0,073m ³	11kg
2212034/3/... ¹⁾	COSMO LED ALFA 60	60W	67W	830mA	3500K	8 050lm	7700lm	115lm/W	0,073m ³	11kg
2212034/4/... ¹⁾	COSMO LED ALFA 60	60W	67W	830mA	4000K	8 950lm	8000lm	119lm/W	0,073m ³	11kg
2212034/6/... ¹⁾	COSMO LED ALFA 60	60W	67W	830mA	5000K	9 350lm	8400lm	125lm/W	0,073m ³	11kg
2212035/3/... ¹⁾	COSMO LED ALFA 72	72W	80W	1000mA	3500K	9 400lm	8950lm	112lm/W	0,073m ³	11kg
2212035/4/... ¹⁾	COSMO LED ALFA 72	72W	80W	1000mA	4000K	10 450lm	9300lm	116lm/W	0,073m ³	11kg
2212035/6/... ¹⁾	COSMO LED ALFA 72	72W	80W	1000mA	5000K	10 950lm	9750lm	122lm/W	0,073m ³	11kg

1) Symbol of chosen optical system eg. 2212035/6/T2 is COSMO LED ALFA 72 5000K with T2 optical system

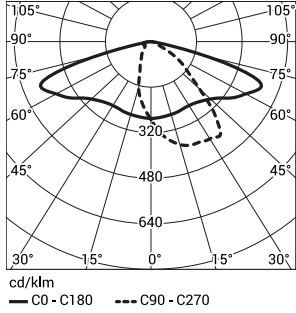
2) tolerance +/- 3% due to LEDs accuracy

Directive: 2014/35/UE (Official Journal of the UE L 96/357 29.03.2014), 2014/30/UE (Official Journal of the UE L 96/79 29.03.2014), 2011/65/UE, 2009/125/EC

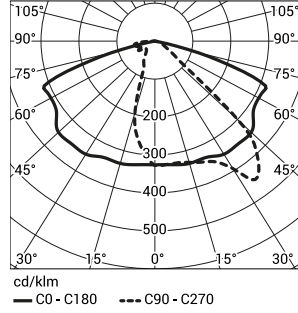


COSMO LED ALFA

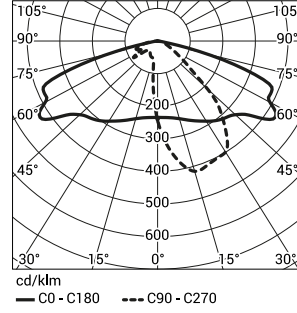
DW



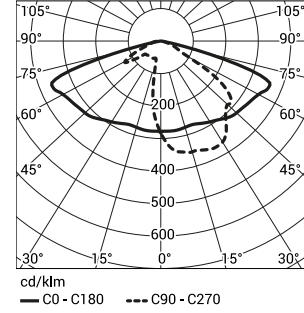
ME



T2



T3



Luminaire COSMO LED ALFA in standard has following functions of intelligent power supply:

- Connection to outside control system by DALI interface (operation of analog signal 1-10V as an option),
- Possibility of programming multistage dimming of luminaire, up to 5 intervals in the range of from 10 to 100% of nominal power,
- Temperature protection of LED module (from overheating) in case of unintentional luminaire operation during the,
- Regulation of power / luminous flux – the option of setting another value than the catalogue in the range of 30-100% of nominal one,

Acceptable quantity of luminaires COSMO LED ALFA on one circuit, protected by:

Overcurrent switches MCB type B or C

Luminaire	Type	2A	4A	6A	10A	16A	20A	25A
COSMO LED ALFA 48, 60, 72W	B	1	2	4	7	12	15	18
	C	1	4	7	12	20	24	31

Fuse – type gG and GL

Luminaire	2A	4A	6A	10A	16A	20A	25A
COSMO LED ALFA 48W	4	8	12	19	31	39	49
COSMO LED ALFA 60, 72W	2	6	9	17	27	34	43