

ELBA LED



Application: parks, pedestrians, bicycle routes

Assembly: pole top mounted or on extension arms with $\varnothing 60 \times 50$ mm ending

Ingress protection: IP 65

Material: base – high-pressure die-casted aluminium alloy

cap – formed aluminium sheet

diffuser – frosted cylindrical $\varnothing 200$ mm (PMMA)

Expected useful lifetime: L90F10 – 50 000 h, L80F20 – 100 000 h

Operating temperature range: from -40°C to $+40^{\circ}\text{C}$

CRI: >80

Corrective factor S/P: 1,45

Input voltage frequency: 50 - 60Hz

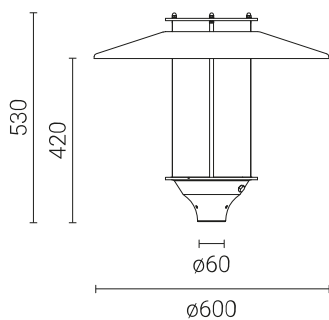
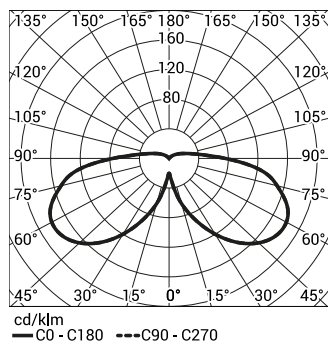
Power factor: ≥ 0.95

Inrush current: : 57A / 210 μs

Luminaire ELBA LED has the possibility to connect to an external control system via analog signal 1- 10V).



Code	Symbol	LED power	Luminaire Power consumption	LED forward current	Colour temperature (CCT)	LEDs luminous flux ¹⁾	Luminaire luminous flux ¹⁾	Luminous efficacy	Unit volume	Luminaire net weight
213050/3	ELBA LED czarna	33W	38W	940mA	3500K	4 600lm	3800lm	100lm/W	0,06m ³	5kg
2131050/3/C45	ELBA LED inox	33W	38W	940mA	3500K	4 600lm	3800lm	100lm/W	0,06m ³	5kg



0,115m²

¹⁾ tolerance +/- 7% due to LEDs accuracy

Directive: 2014/35/UE (Official Journal of the UE L 96/357 29.03.2014), 2014/30/UE (Official Journal of the UE L 96/79 29.03.2014), 2011/65/UE, 2009/125/EC

Acceptable quantity of luminaires ELBA LED on one circuit, protected by:

Overcurrent switches MCB type B or C

Luminaire	Typ	2A	4A	6A	10A	16A	20A	25A
ELBA LED	B	1	2	4	7	12	15	18
	C	1	4	7	12	20	24	31

Fuse – type gG and GL

Luminaire	2A	4A	6A	10A	16A	20A	25A
ELBA LED	4	8	12	19	31	39	49