

# ELBA



**Application:** parks, pedestrians

**Mounting:** on columns or extension arms with spigot ending  $\varnothing 60 \times 50$  mm

**Ingress protection:** IP 65

**Material:** base – high pressure die cast aluminium, electrical gear cover – polycarbonate, lamp diffuser – methacrylate PMMA frosted and transparent version, cylindrical  $\varnothing 200$  mm, cap – shaped aluminium sheet

**Colour:** black (possibility to paint in other colours – polyester powder paints)

**Input voltage:** 230V AC

**Input voltage frequency:** 50Hz

**Electrical gear cover:** mounted on gear frame, magnetic ballast with thermal protection for luminaires 50W-100W, metal halide lamps MH 70W (EL) optionally available with electronic ballast

**Sposób montażu:** only upwards

**Unit volume:**  $0,01\text{m}^2$

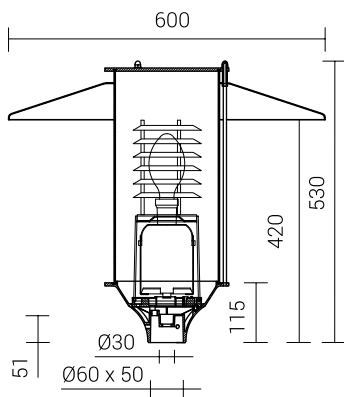
**Windage:**  $0,21\text{m}^2$



Code	Symbol	Colour	Power	Lamp diffuser type	Light source type	Exemplary lamp types	Net weight
<b>2134002</b>	ELBA S-70W	Painted in black colour	70W	Frosted PMMA	Sodium E-27	Philips: SON 70W-E, CDO-ET (-TT) 70W Osram: NAV-E 70W	6,3kg
<b>213602</b>	ELBA S-70W	Painted in black colour	70W	Transparent	Sodium E-27	Philips: SON 70W-E, CDO-ET (-TT) 70W Osram: NAV-E 70W	6,3kg
<b>2134003</b>	ELBA S-100W	Painted in black colour	100W	Frosted PMMA	Sodium E-40	Philips: SON 100W-E, CDO-ET (-TT) 100W Osram: NAV-E 100W	6,7kg
<b>213603</b>	ELBA S-100W	Painted in black colour	100W	Transparent	Sodium E-40	Philips: SON 100W-E, CDO-ET (-TT) 100W Osram: NAV-E 100W	6,9kg
<b>2134007</b>	ELBA MH-70W	Painted in black colour	70W	Frosted PMMA	Metal halide E-27	Osram: HQI-E 70W	6,3kg
<b>213607</b>	ELBA MH-70W	Painted in black colour	70W	Transparent	Metal halide E-27	Osram: HQI-E 70W	6,5kg
<b>2134015</b>	ELBA E/Z	Painted in black colour	23W	Frosted PMMA	Compact fluorescent lamp E-27	Philips: 23W Osram: 23W	5kg
<b>213615</b>	ELBA E/Z	Painted in black colour	23W	Transparent	Compact fluorescent lamp E-27	Philips: 23W Osram: 23W	5,2kg
<b>2135002</b>	ELBA S-70W	Painted to a different colour	70W	Frosted PMMA	Sodium E-27	Philips: SON 70W-E, CDO-ET (-TT) 70W Osram: NAV-E 70W	6,3kg
<b>213702</b>	ELBA S-70W	Painted to a different colour	70W	Transparent	Sodium E-27	Philips: SON 70W-E, CDO-ET (-TT) 70W Osram: NAV-E 70W	6,3kg

# ELBA

Code	Symbol	Colour	Power	Lamp diffuser type	Light source type	Exemplary lamp types	Net weight
<b>2135003</b>	ELBA S-100W	Painted to a different colour	100W	Frosted PMMA	Sodium E-40	Philips: SON 100W-E, CDO-ET (-TT) 100W Osram: NAV-E 100W	6,7kg
<b>213703</b>	ELBA S-100W	Painted to a different colour	100W	Transparent	Sodium E-40	Philips: SON 100W-E, CDO-ET (-TT) 100W Osram: NAV-E 100W	6,9kg
<b>2135007</b>	ELBA MH-70W	Painted to a different colour	70W	Frosted PMMA	Metal halide E-27	Osram: HQI-E 70W	6,3kg
<b>213707</b>	ELBA MH-70W	Painted to a different colour	70W	Transparent	Metal halide E-27	Osram: HQI-E 70W	6,5kg
<b>2135015</b>	ELBA E/Z	Painted to a different colour	23W	Frosted PMMA	Compact fluorescent lamp E-27	Philips: 23W Osram: 23W	5kg
<b>213715</b>	ELBA E/Z	Painted to a different colour	23W	Transparent	Compact fluorescent lamp E-27	Philips: 23W Osram: 23W	5,2kg



**Directive:** 2014/35/UE (Official Journal of the UE L 96/357 29.03.2014), 2014/30/UE (Official Journal of the UE L 96/79 29.03.2014), 2011/65/UE, 2009/125/EC