

MIZAR LED



Application: surrounding office buildings, parks, pedestrians, parkings

Assembly: pole top mounted with $\varnothing 60 \times 80$ mm ending

Ingress protection: IP 66 for the optical part and the driver

Material: anodised aluminium alloy

Colour: inox / graphite

Optical system: PMMA optics

Number of LEDs: 16

Operating temperature range: from -40°C to $+55^{\circ}\text{C}$

Expected useful lifetime: L90F10 – 50 000 h, L80F20 – 100 000 h

CRI: >70 for 5000K, 4000K; >80 for 3500K

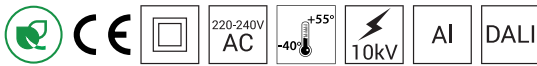
Corrective factor S/P: 1,8 for 5000K; 1,45 for 3500K; 1,55 for 4000K

Input voltage frequency: 50 - 60Hz

Power factor: ≥ 0.95

Inrush current: : 46A / 250 μs

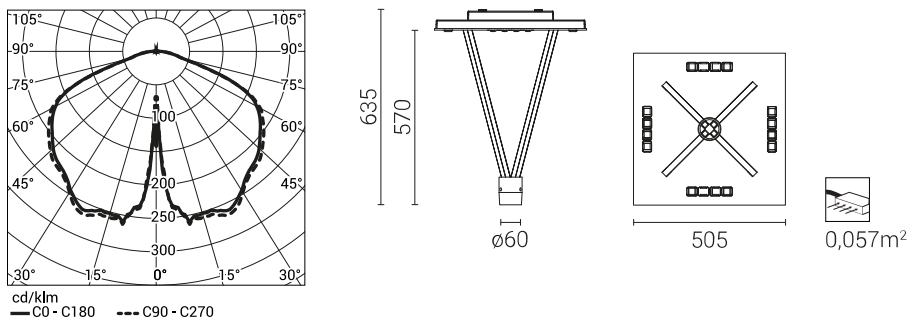
Luminaire MIZAR LED has the possibility to connect to an external control system via DALI interface (optionally via analog signal 1- 10V).



Code	Symbol	LED power	Luminaire Power consumption	LED forward current	Colour temperature (CCT)	LEDs luminous flux ¹⁾	Luminaire luminous flux ¹⁾	Luminous efficacy	Unit volume	Luminaire net weight
214432/3	MIZAR LED 36	36W	42W	750mA	3500K	4 950lm	4250lm	101lm/W	0,172m ³	9,2kg
214432/4	MIZAR LED 36	36W	42W	750mA	4000K	5 500lm	4400lm	105lm/W	0,172m ³	9,2kg
214432/6	MIZAR LED 36	36W	42W	750mA	5000K	5 750lm	4600lm	110lm/W	0,172m ³	9,2kg
214433/3	MIZAR LED 48	48W	55W	1000mA	3500K	6 300lm	5700lm	104lm/W	0,172m ³	9,2kg
214433/4	MIZAR LED 48	48W	55W	1000mA	4000K	6 950lm	5900lm	107lm/W	0,172m ³	9,2kg
214433/6	MIZAR LED 48	48W	55W	1000mA	5000K	7 300lm	6200lm	112lm/W	0,172m ³	9,2kg

1) tolerance +/- 3% due to LEDs accuracy

Directive: 2014/35/UE (Official Journal of the UE L 96/357 29.03.2014), 2014/30/UE (Official Journal of the UE L 96/79 29.03.2014), 2011/65/UE, 2009/125/EC



MIZAR LED

Luminaire MIZAR LED in standard has following functions of intelligent power supply:

- Connection to outside control system by DALI interface (operation of analog signal 1-10V as an option),
- Possibility of programming multistage dimming of luminaire, up to 5 intervals in the range of from 10 to 100% of nominal power,
- Temperature protection of LED module (from overheating) in case of unintentional luminaire operation during the,
- Regulation of power / luminous flux – the option of setting another value than the catalogue in the range of 30-100% of nominal one,

Acceptable quantity of luminaires MIZAR LED on one circuit, protected by:

Overcurrent switches MCB type B or C

Luminaire	Typ	2A	4A	6A	10A	16A	20A	25A
MIZAR LED	B	1	2	4	6	11	13	17
	C	1	4	6	11	18	28	28

Fuse – type gG and GL

Luminaire	2A	4A	6A	10A	16A	20A	25A
MIZAR LED	1	2	11	19	30	38	47