

OS-11 LED



Application: parks, pedestrians

Assembly: on S and SP type columns with spigot type B, on bracket configurations, on wall brackets KR, KP, columns, extension arms, aluminium brackets with $\varnothing 60 \times 60$ mm ending

Ingress protection: IP 54

Material: body – UV resistant polypropylene with glass fiber, diffuser – frosted PMMA

Colour: black

Number of LEDs: 1

Operating temperature range: from -40°C to $+40^{\circ}\text{C}$

Expected useful lifetime: L90F10 – 50 000 h, L80F20 – 100 000 h

CRI: >90

Corrective factor S/P: 1,45

Input voltage frequency: 50 - 60Hz

Power factor: ≥ 0.95

Inrush current: : 53A / 200 μs

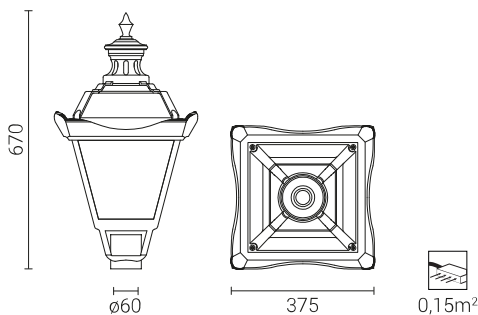
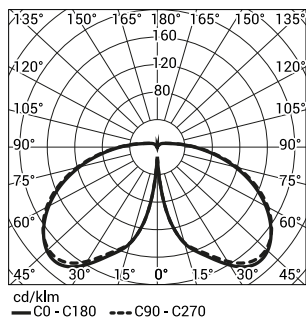
Luminaire OS-11 LED has the possibility to connect to an external control system via DALI interface (optionally via analog signal 1- 10V).



Code	Symbol	LED power	Luminaire Power consumption	LED forward current	Colour temperature (CCT)	LEDs luminous flux ¹⁾	Luminaire luminous flux ¹⁾	Luminous efficacy	Unit volume	Luminaire net weight
2110050/3	OS-11 LED	38W	43W	940mA	3500K	4 000lm	3300lm	77lm/W	0,1m ³	5,3kg

1) tolerance +/- 7% due to LEDs accuracy

Directive: 2014/35/UE (Official Journal of the UE L 96/357 29.03.2014), 2014/30/UE (Official Journal of the UE L 96/79 29.03.2014), 2011/65/UE, 2009/125/EC



Acceptable quantity of luminaires OS-11 LED on one circuit, protected by:

Overcurrent switches MCB type B or C

Luminaire	Typ	2A	4A	6A	10A	16A	20A	25A
OS-11 LED	B	1	2	4	6	11	13	17
	C	1	4	6	11	18	28	28

Fuse – type gG and GL

Luminaire	2A	4A	6A	10A	16A	20A	25A
OS 11 LED	1	2	11	19	30	38	47