

# Aluminium column SAL-9 WŁ 3/1,5/3,2/5

diameter Ø176mm at the base plate



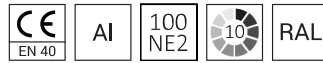
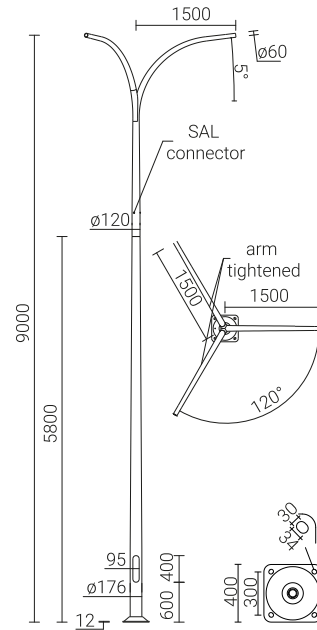
**Anodising:** 10 colours, each with possibility of chemical brightening

**Finish:** grinded, anodised aluminium, option of elastomer protection in the colour of the column up to the height of 350 mm (other height on customer's request)

**Luminaire mounting:** directly on the column, luminaires with mounting Ø60 mm with weight and surface parameters not exceeding the data from the strength table included in the technical data sheet

**Extension arm type:** According to resistance calculations

**Packing:** sleeve material



Code	Symbol	Height of the column	Wall thickness	Net weight	Approximate unit volume	Concrete footing / reinforcement basket code
<b>42421</b>	SAL-9 WŁ 3/1,5/3,2/5	9m	—	60,4kg	1,06m <sup>3</sup>	311170 / 311207
SAL-9 WŁ 3/1,5/3,2/5 Acceptable windage of single luminaire [m <sup>2</sup> ] for Cx=0,7						
code 42421	Vref. = 22 m/s	Vref. = 24 m/s	Vref. = 26 m/s	Vref. = 28 m/s		
Permissible weight of a single luminaire	I zone, II Field category up to	I & III zone, II Field category up to 450m by s.I	II zone, II Field category up to	III zone, II Field category up to 755m by s.I		
15	0,33	0,25	0,16	0,13		