

SLICE LED



Installation: surrounding office buildings, parks, pedestrians

Ingress protection: IP 65

Material: anodised aluminium alloy

Operating temperature range: from -40°C to +55°C

Expected useful lifetime: L90F10 – 50 000 h, L80F20 – 100 000 h

CRI: >70 for 5000K; >80 for 3500K

Corrective factor S/P: 1,8 for 5000K; 1,45 for 3500K

Input voltage frequency: 50 - 60Hz

Power factor: ≥ 0.95

Inrush electric current: –

SLICE LED has the possibility to connect to an external control system via DALI interface (optionally via analog signal 1- 10V).

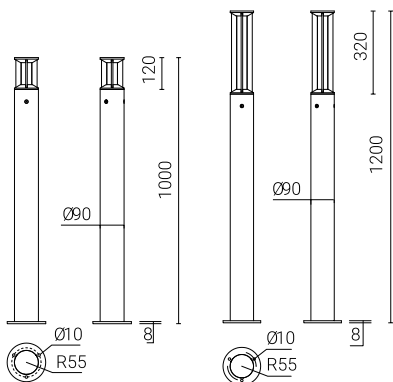


Code	Symbol	LED power	Luminaire Power consumption	Colour temperature (CCT)	Luminaire luminous flux ¹⁾	Luminous efficacy	Unit volume	Concrete footing / reinforcement basket type	Net weight
45290/3/C...	SLICE LED 1000	7W	9W	3500K	300lm	33lm/W	0,021m ³	B-0A / Z-0A	4,6kg
45290/6/C...	SLICE LED 1000	7W	9W	5000K	350lm	40lm/W	0,021m ³	B-0A / Z-0A	4,6kg
45291/3/C...	SLICE LED 1200	12W	15W	3500K	550lm	37lm/W	0,025m ³	B-0A / Z-0A	5,3kg
45291/6/C...	SLICE LED 1200	12W	15W	5000K	650lm	43lm/W	0,025m ³	B-0A / Z-0A	5,3kg

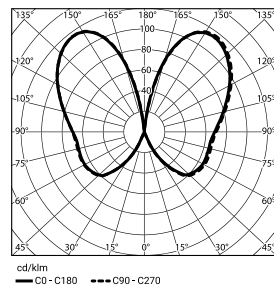
/C... – choice of anodising colour

2) tolerance +/- 7% due to LEDs accuracy

Directive: 2014/35/UE (Official Journal of the UE L 96/357 29.03.2014), 2014/30/UE (Official Journal of the UE L 96/79 29.03.2014), 2011/65/UE, 2009/125/EC



SLICE 1000 LED



SLICE 1200 LED

