

# VEGA LED ALFA



**Application:** urban roads, residential roads (internal), parks, pedestrians

**Assembly:** on extension arms with  $\varnothing 60 \times 100$  mm ending

**Ingress protection:** IP 66 for the optical part and the driver

**Material:** anodised aluminium alloy

**Colour:** inox / graphite

**Optical system:** PMMA optics, interchangeable LED module

**Number of LEDs:** 24

**Operating temperature range:** from  $-40^{\circ}\text{C}$  to  $+55^{\circ}\text{C}$

**Expected useful lifetime:** L90F10 – 50 000 h, L80F20 – 100 000 h

**CRI:** >70 for 5000K, 4000K; >80 for 3500K

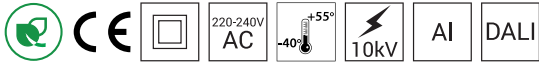
**Corrective factor S/P:** 1,8 for 5000K; 1,45 for 3500K; 1,55 for 4000K

**Input voltage frequency:** 50 - 60Hz

**Power factor:**  $\geq 0.95$

**Inrush current:** : 46A / 250 $\mu\text{s}$

Luminaire VEGA LED ALFA has the possibility to connect to an external control system via DALI interface (optionally via analog signal 1- 10V).

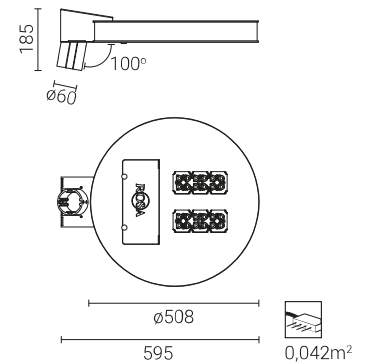
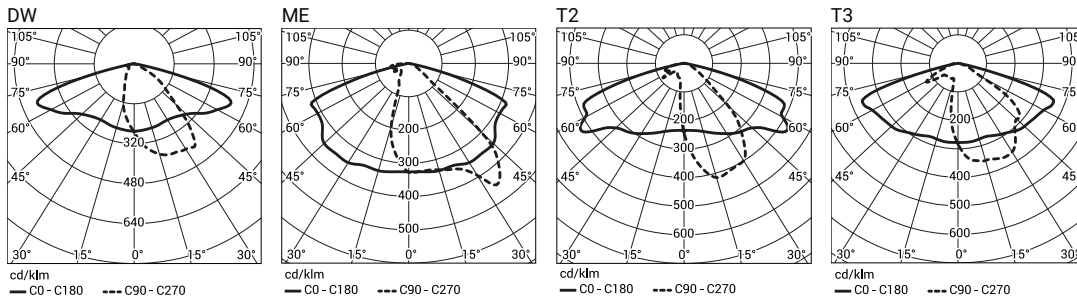


Code	Symbol	LED power	Luminaire Power consumption	LED forward current	Colour temperature (CCT)	LEDs luminous flux <sup>2)</sup>	Luminaire luminous flux <sup>2)</sup>	Luminous efficacy	Unit volume	Luminaire net weight
<b>2142034/3/...<sup>1)</sup></b>	VEGA LED ALFA 60	60W	67W	830mA	3500K	8 050lm	7700lm	115lm/W	0,099m <sup>3</sup>	10kg
<b>2142034/4/...<sup>1)</sup></b>	VEGA LED ALFA 60	60W	67W	830mA	4000K	8 950lm	8000lm	119lm/W	0,099m <sup>3</sup>	10kg
<b>2142034/6/...<sup>1)</sup></b>	VEGA LED ALFA 60	60W	67W	830mA	5000K	9 350lm	8400lm	125lm/W	0,099m <sup>3</sup>	10kg

1) Symbol of chosen optical system eg. 2142034/6/T2 is VEGA LED ALFA 60 5000K with T2 optical system

2) tolerance +/- 3% due to LEDs accuracy

**Directive:** 2014/35/UE (Official Journal of the UE L 96/357 29.03.2014), 2014/30/UE (Official Journal of the UE L 96/79 29.03.2014), 2011/65/UE, 2009/125/EC



**Luminaire VEGA LED ALFA in standard has following functions of intelligent power supply:**

- Connection to outside control system by DALI interface (operation of analog signal 1-10V as an option),
- Possibility of programming multistage dimming of luminaire, up to 5 intervals in the range of from 10 to 100% of nominal power,
- Temperature protection of LED module (from overheating) in case of unintentional luminaire operation during the,
- Regulation of power / luminous flux – the option of setting another value than the catalogue in the range of 30-100% of nominal one,

**Acceptable quantity of luminaires VEGA LED ALFA on one circuit, protected by:**

Overcurrent switches MCB type B or C

Luminaire	Typ	2A	4A	6A	10A	16A	20A	25A
VEGA LED ALFA	B	1	2	4	6	11	13	17
	C	1	4	6	11	18	28	28

Fuse – type gG and GL

Luminaire	2A	4A	6A	10A	16A	20A	25A
VEGA LED ALFA	1	2	11	19	30	38	47